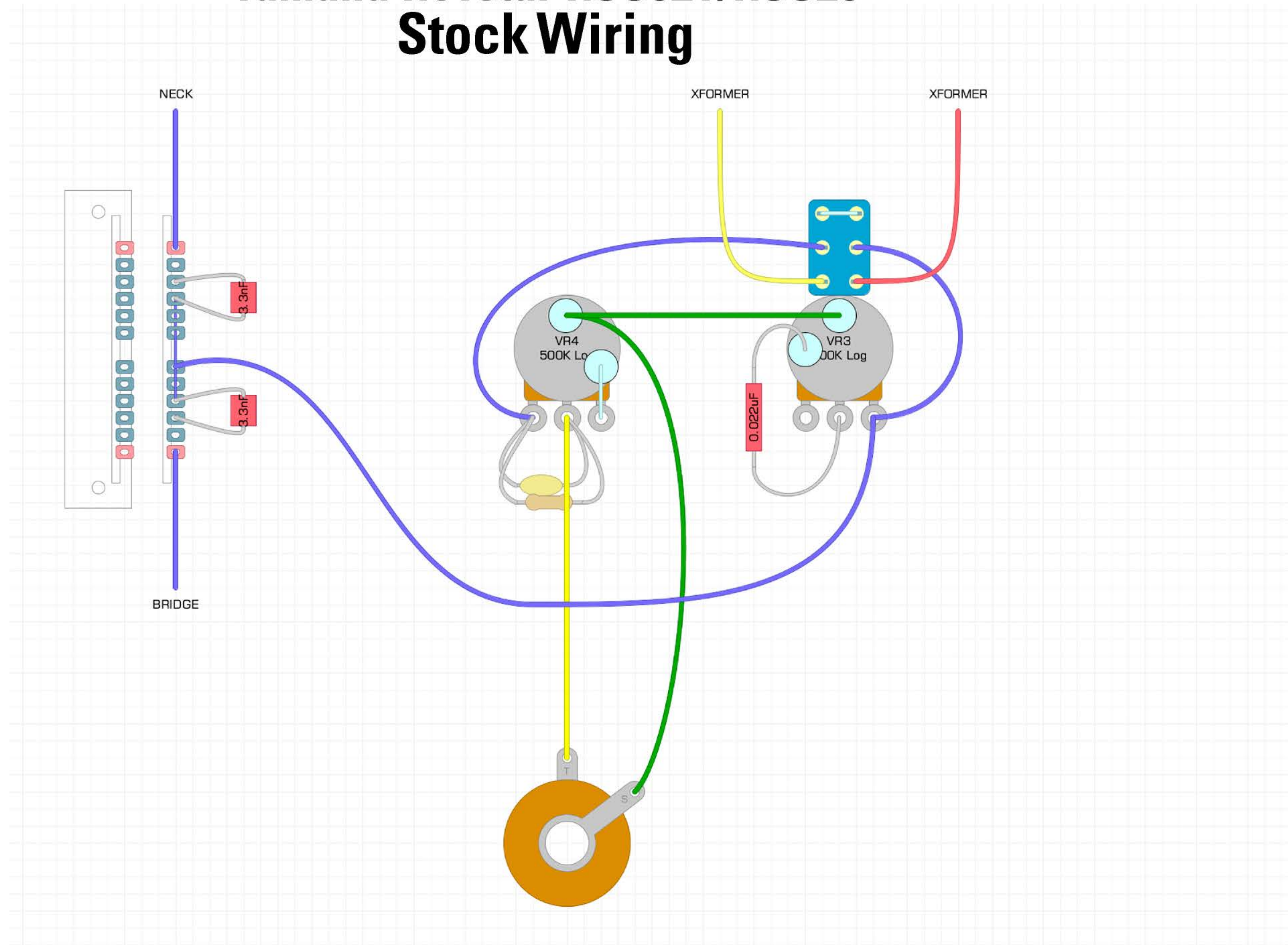


PSIONIC AUDIO

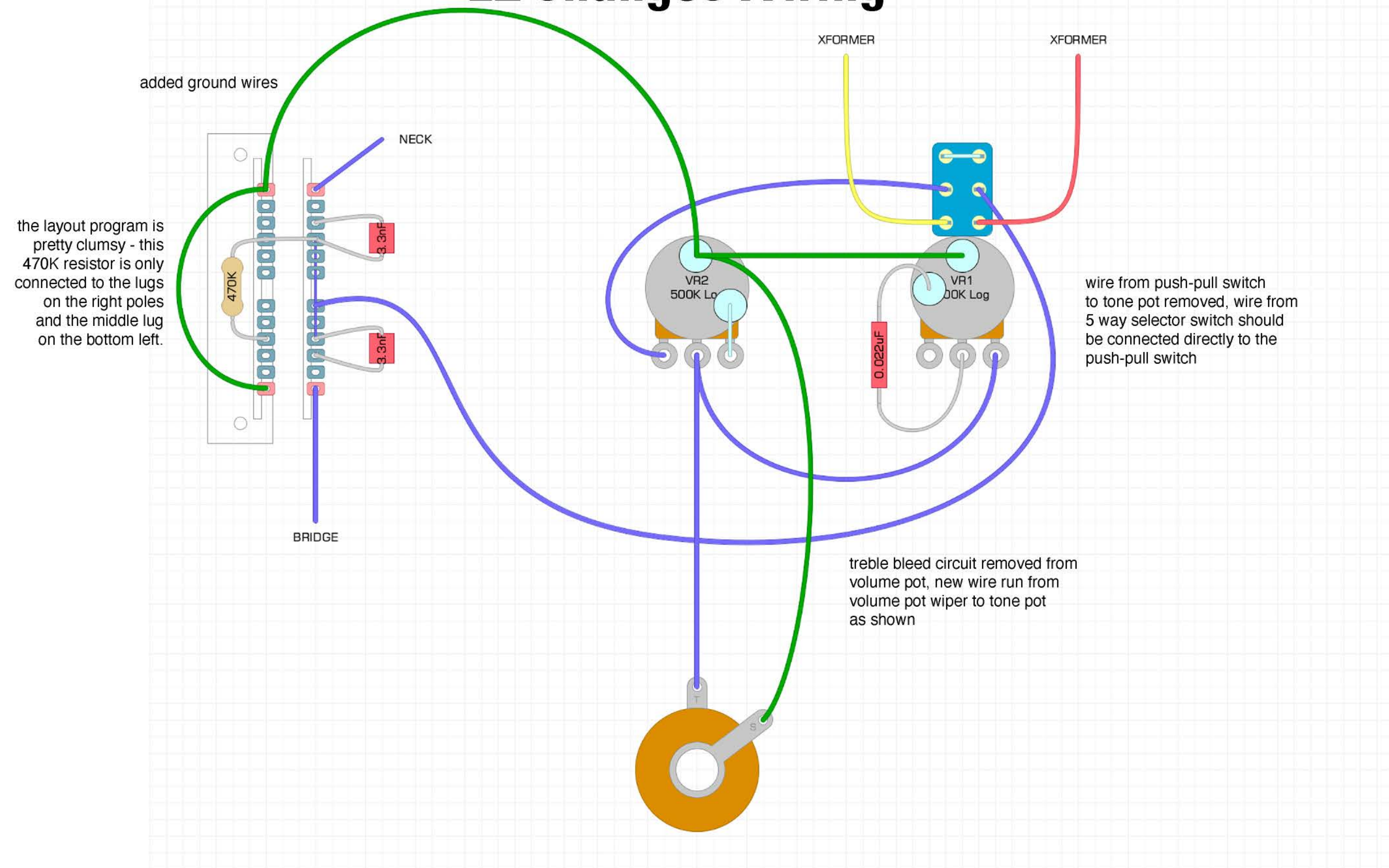
Yamaha Revstar RSS02T/RSS20 Stock Wiring



PSIONIC AUDIO

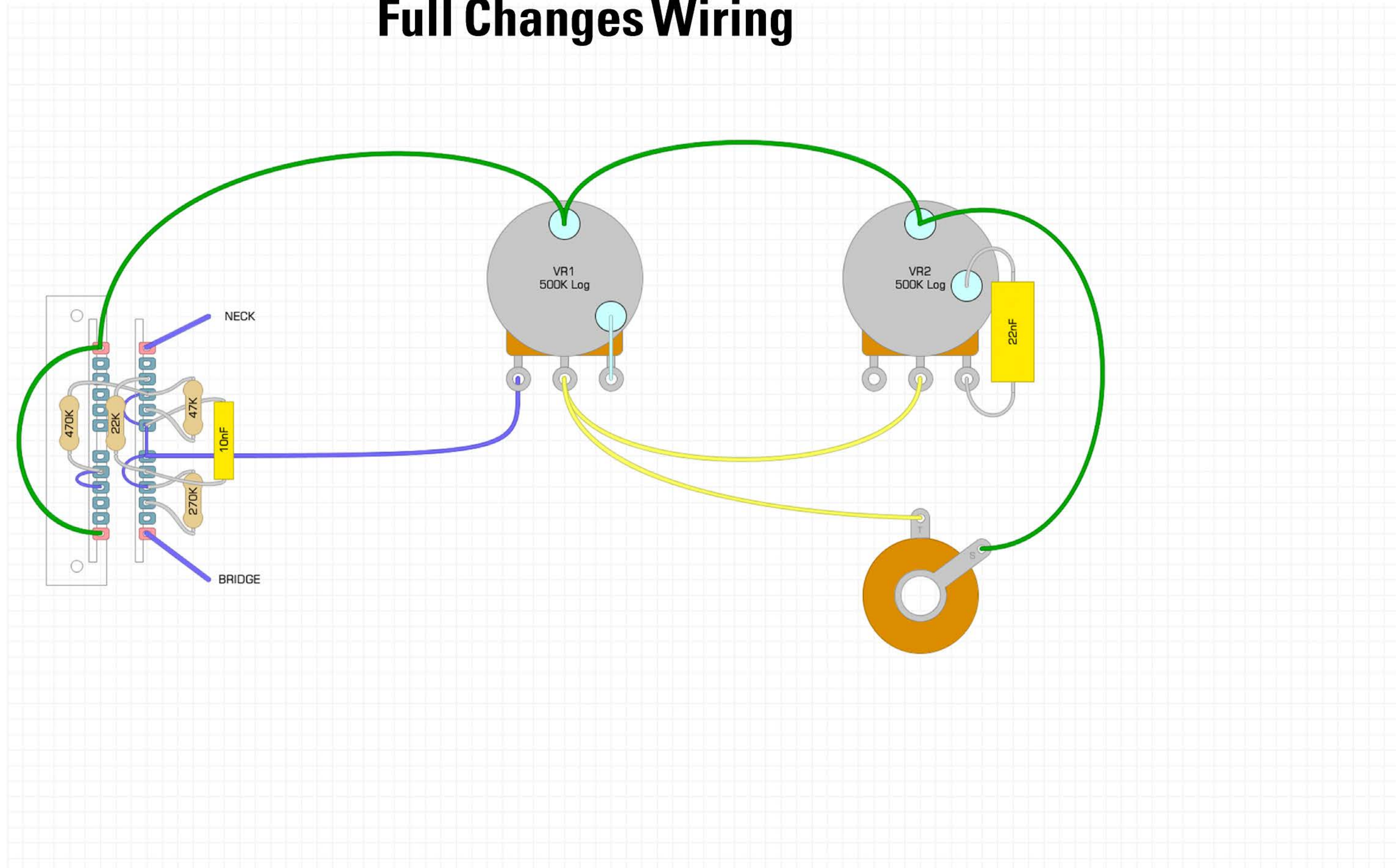
Yamaha Revstar RSS02T/RSS20

EZ Changes Wiring



PSI^{ON}IC AUDIO

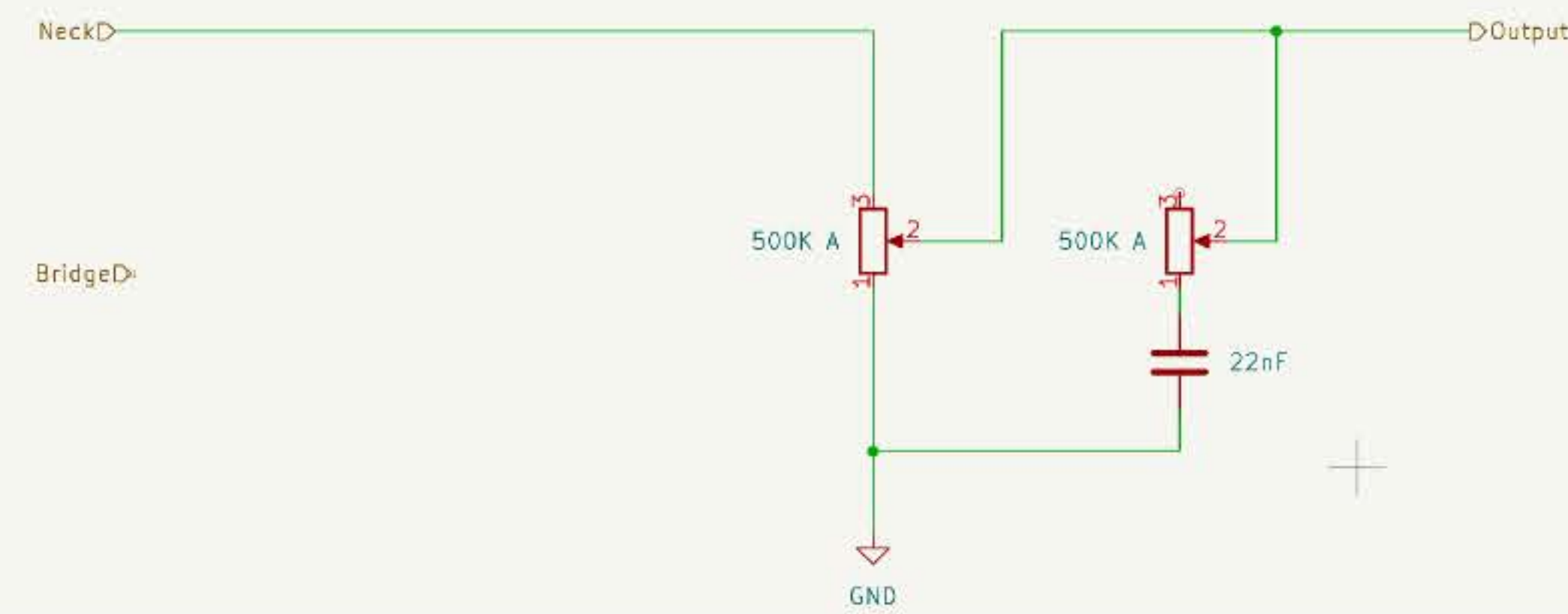
Yamaha Revstar RSS02T/RSS20 Full Changes Wiring



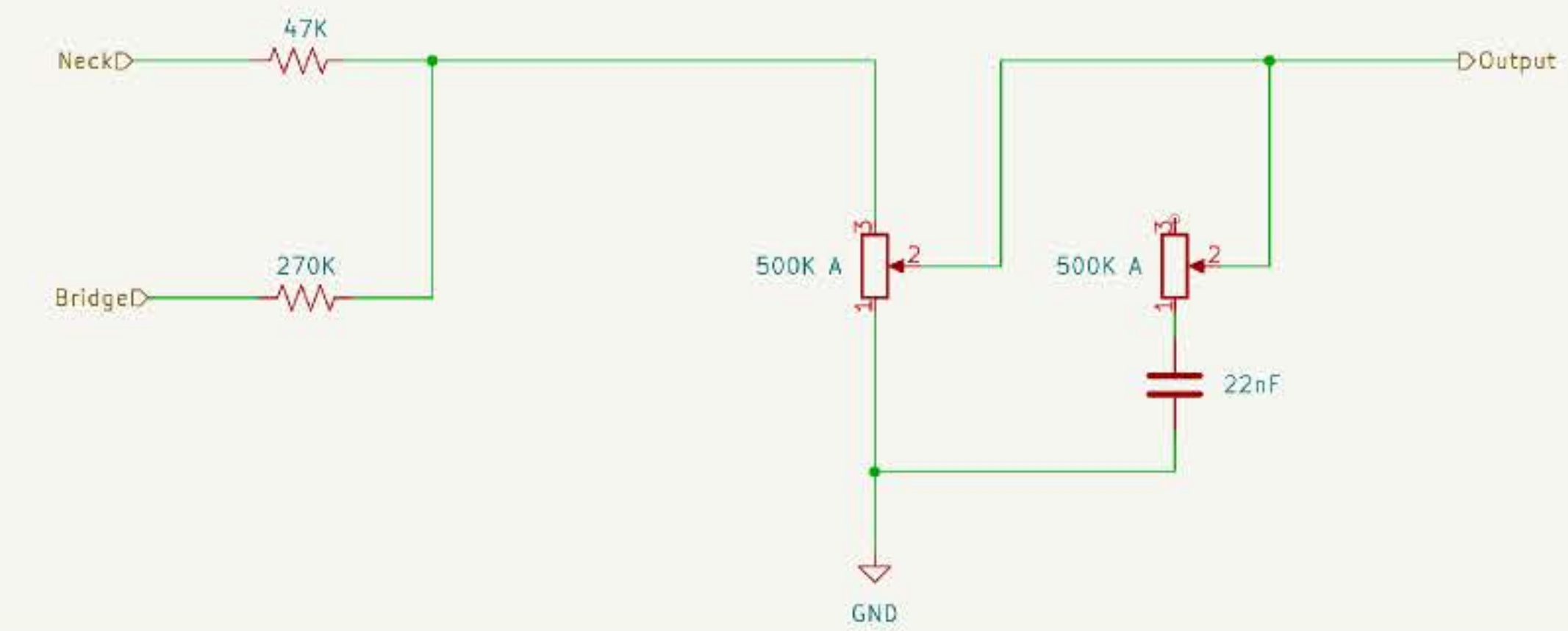
PSIONIC AUDIO

Yamaha Revstar RSS02T/RSS20

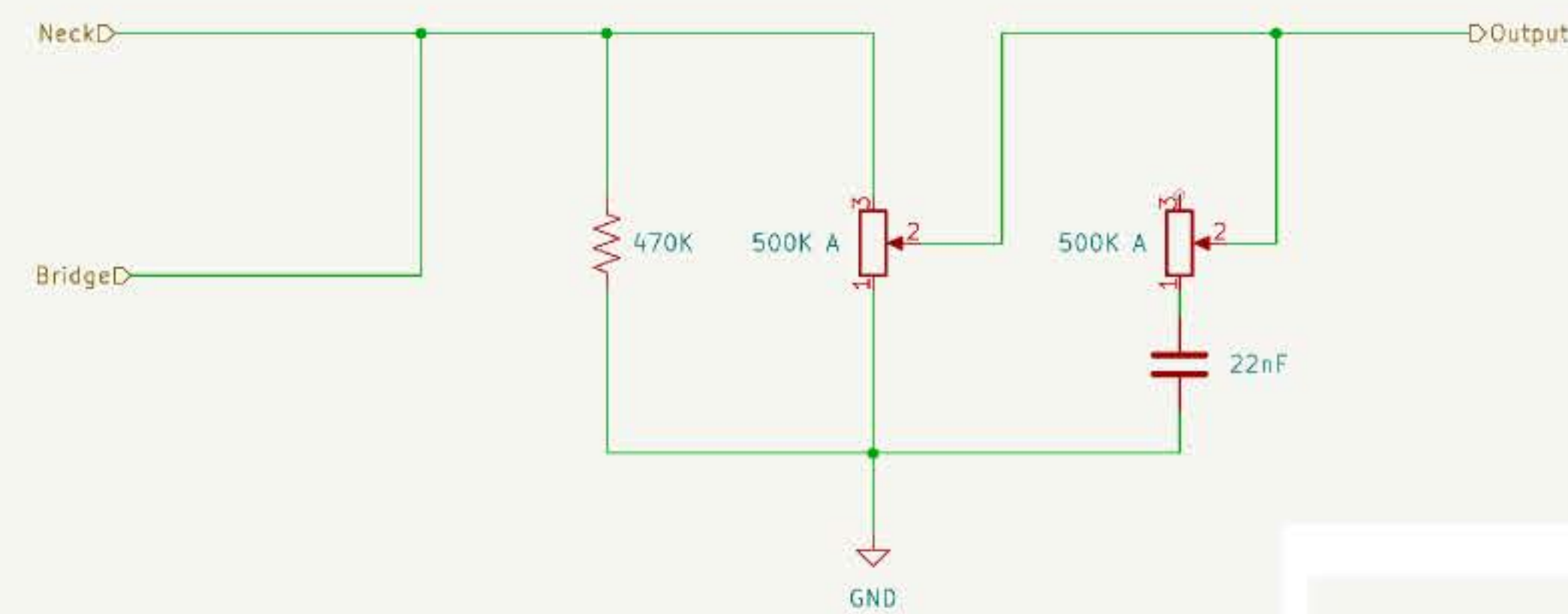
Full Changes Switch Positions



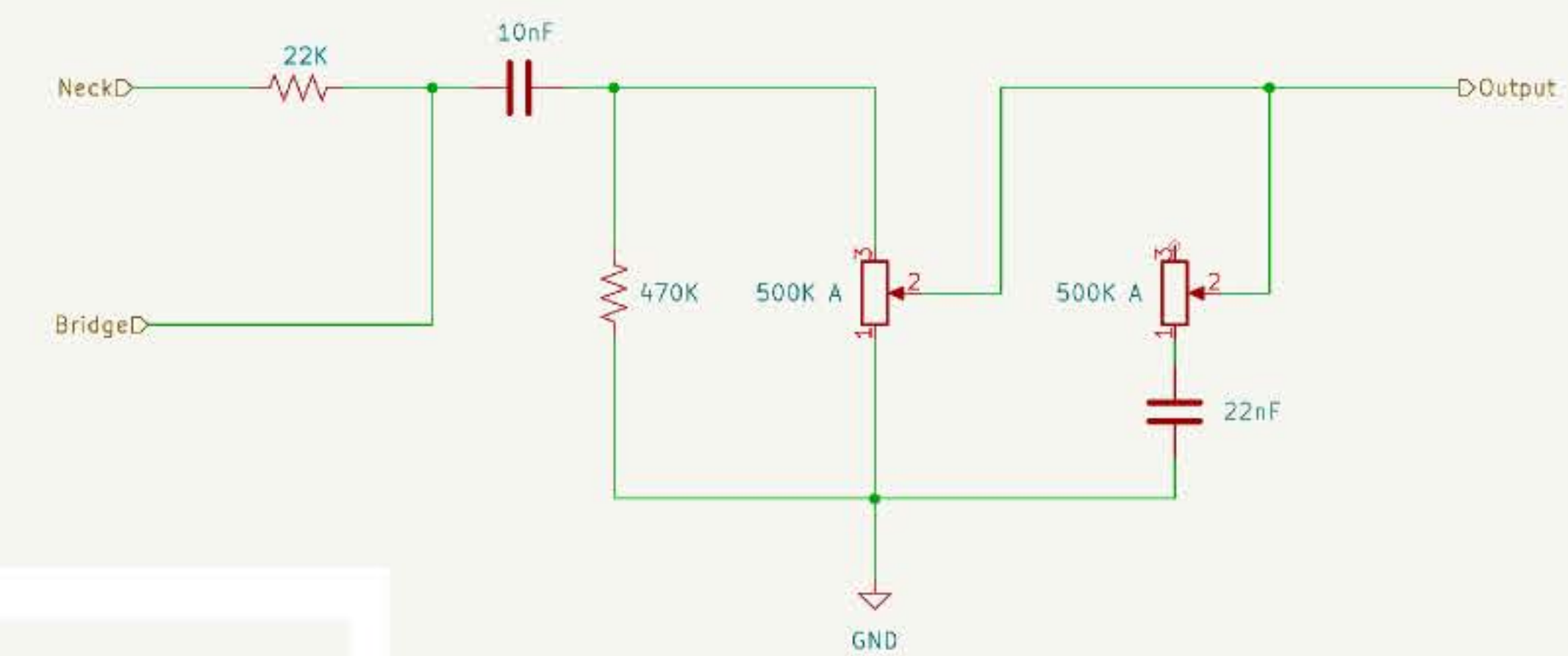
one



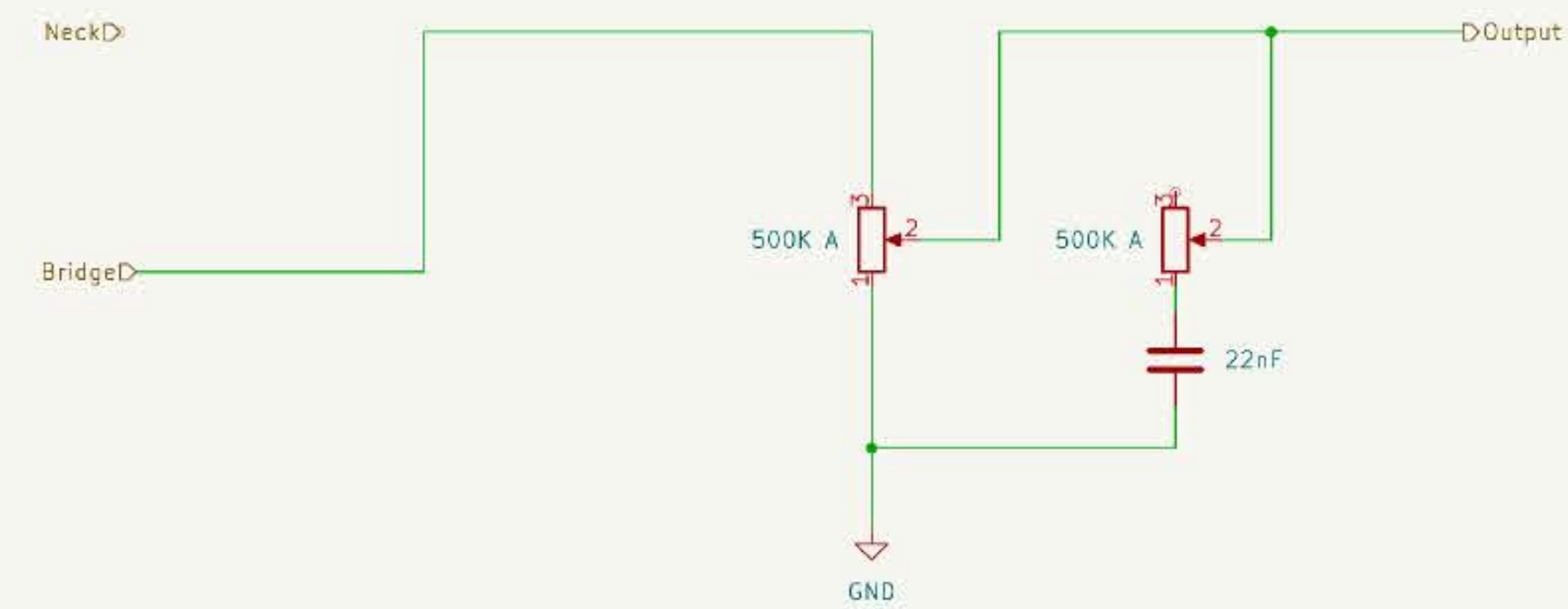
two



three



four



five